

PRODUCT TECHNICAL SHEET

Collection : **1921**

Ref. : **1921.--.27**

Batterie de cuisine 4 trous, douchette poignée poussoir, inverseur automatique, bec mobile
4-gats keukenmengkraan, handdouche met drukknop, automatische omschakelaar, draaibare uitloop
4-hole sinkmixer, handshower with pusher, automatic diverter, swing spout

Picture

Product details



Weight : 4,2 kg

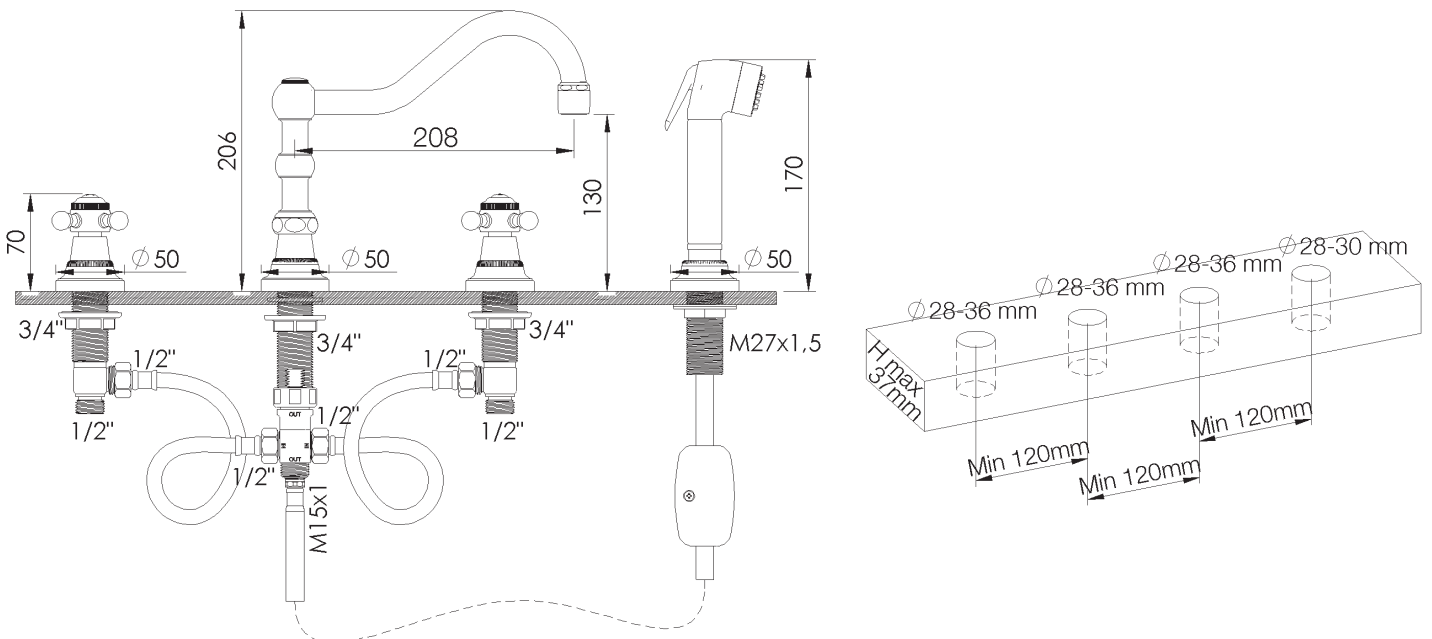
Flow at 3 bar : Restricted 9 l/min
4,5 l/min (Handshower)

Internal mechanism : Ceramic valve 1/4 turn

Diverter : Automatic pressure diverter

Note : Handshower hose 1,5m

Technical drawing



RB2.V01